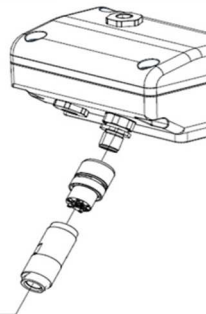
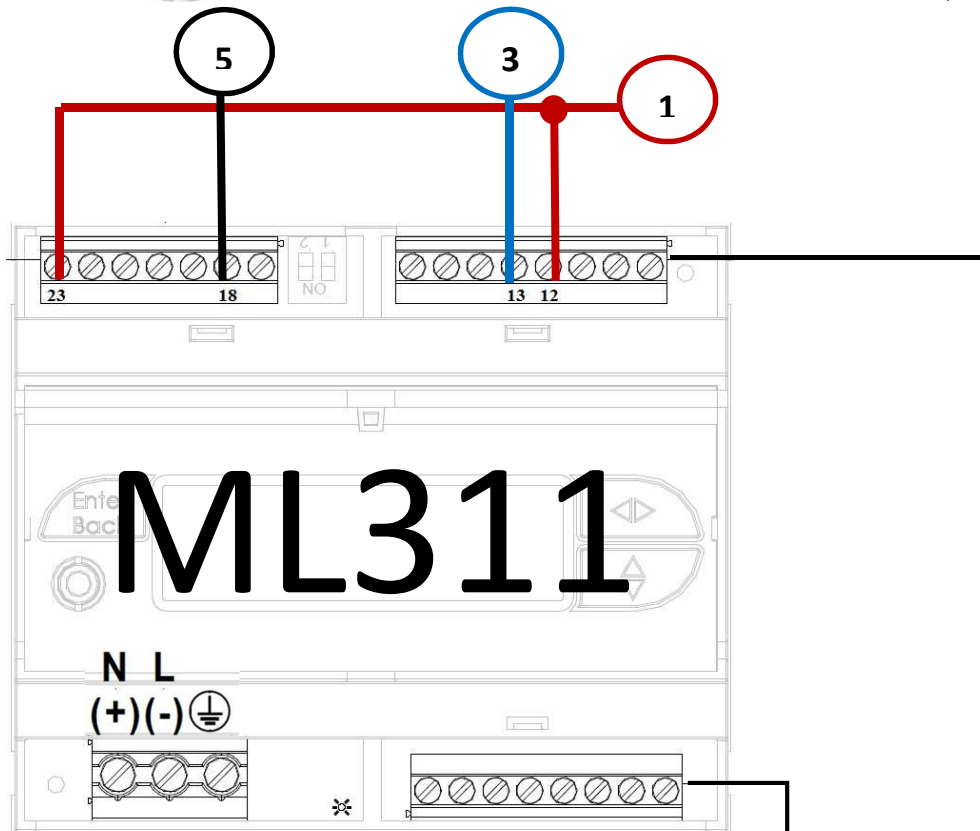
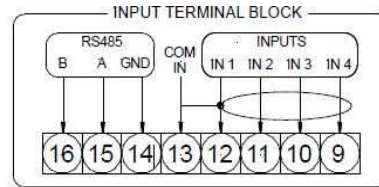


## Connection between ML800 and ML311

- 1 (+) POWER SUPPLY
- 2 (+) OUTPUT 1 / INPUT
- 3 (+) OUTPUT 2 (OPTIONAL)
- 4 (+) 4-20mA OUTPUT (OPTIONAL)
- 5 (-) POWER SUPPLY / OUTPUTS / INPUT

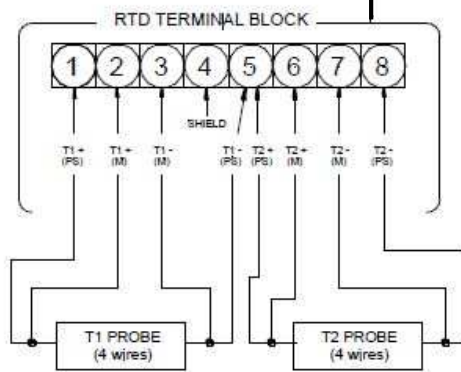


**ML800**



ML311

N L  
(+)(-)⊥



Terminal n° 5 is used only to allow the right RTD's wiring (connected in series)

To connect 2 wire probe:  
 T1: connect the probe to terminal block 2 and 3, bridge on 1-2 and 3-5  
 T2: connect the probe to terminal block 6 and 7, bridge on 5-6 and 7-8